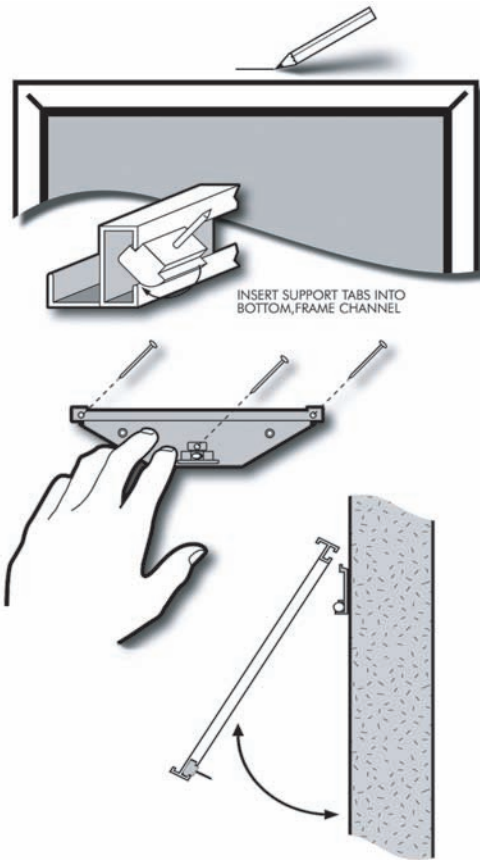


TRACKMASTER® PICTURE HANGER

SIMPLE • STRAIGHT • SECURE

Metal Frame Installation Instructions

5" and 8" Sliding Metal Frame Trackmaster® Picture Hanger



READY YOUR FRAME

Insert support tabs into the bottom portion of the frame (see picture). These are ideal for keeping frames straight in busy rooms, hallways, near doors, and in childrens' rooms.

ATTACH THE TRACKMASTER® TO THE WALL

Remove the snap-in bubble level and position the TrackMaster® Picture Hanger on the wall. Use the double-stick tape to prevent slipping once leveled. Tap in only the center nail. Re-insert the bubble level, adjust the TrackMaster® Picture Hanger until level, and tap in the two outer nails.*

HANG YOUR FRAME

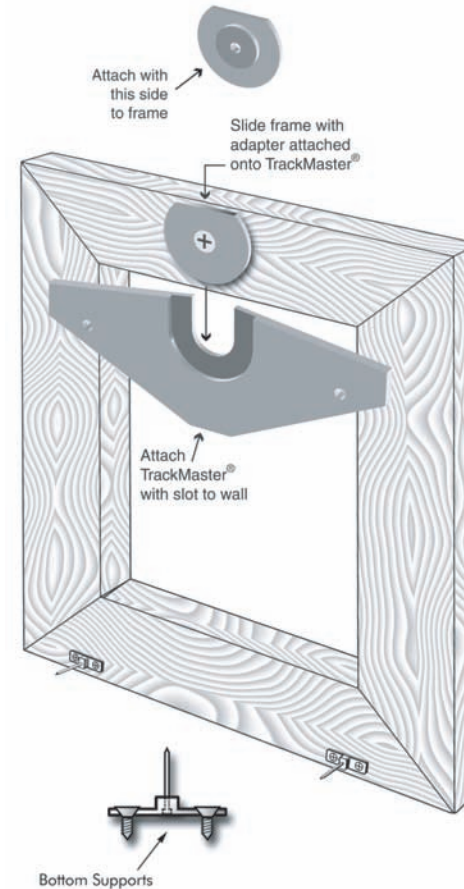
Insert the top channel of the frame onto the TrackMaster® Picture Hanger. Your frame can now be adjusted from side to side for final positioning. If you've used the support tabs, press the bottom corners of your artwork into the wall with the heels of your hands.

* For installation on concrete block, masonry walls, or for additional earthquake protection, two screws with wall anchors can be used instead of nails.

Visit www.picturehanger.com for design ideas, other hanging options, and to conveniently re-order.

Wood Frame Swivel Installation Instructions

Wood Frame Swivel Trackmaster® Picture Hanger



READY YOUR FRAME

Attach the TrackMaster® Wood Frame Adapter to the top center of the frame with the supplied screw. Align flat edge with top of frame. Attach supports to the bottom corners of the frame. These are ideal for keeping frames straight in busy rooms, hallways, near doors, and in childrens' rooms.

ATTACH THE TRACKMASTER® TO THE WALL

Place the TrackMaster® Picture Hanger on the wall. For installation on concrete block, masonry walls, or for additional earthquake protection, two screws with wall anchors can be used instead of nails.

HANG YOUR FRAME

The wood frame adapter fits into the TrackMaster® Picture Hanger. Place bubble level on top of frame and pivot until level. Press the bottom corners of your frame toward the wall with the heels of your hands to lock and secure it straight.

TrackMaster® Picture Hanging Systems, distributed by Piñon Marketing Group, Inc.
Albuquerque, New Mexico 87122 • 888.776.2531 toll free

TrackMaster® picture frame hangers are protected under the following U.S. and Canadian patents and patents pending: U.S. Patent 5,209,449 (issued May 11, 1993); U.S. Patent 5,303,895 (issued April 19, 1994); U.S. Patent 5,454,542 (issued October 3, 1995) and other U.S. patents pending; Canadian patent pending 2,086,894 (filed January 7, 1993).