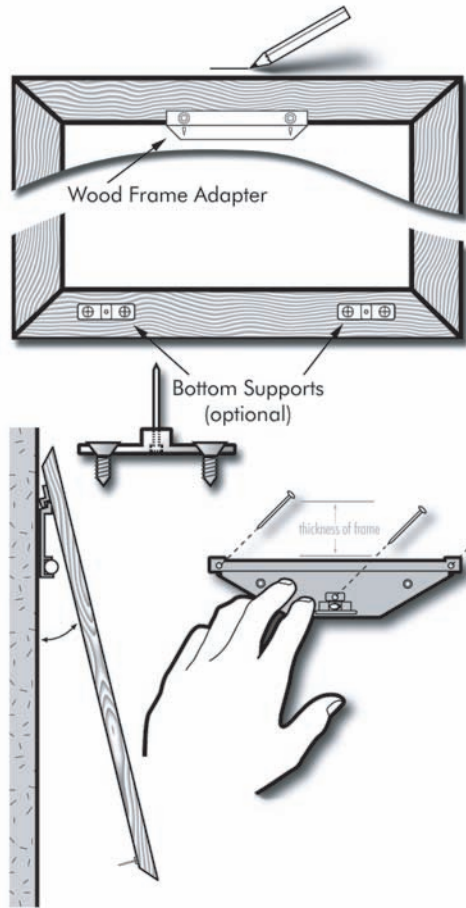


TRACKMASTER® PICTURE HANGER

SIMPLE • STRAIGHT • SECURE

Sliding Wood Frame Installation Instructions

5" and 8" Sliding Wood Frame Trackmaster® Picture Hanger



READY YOUR FRAME

Attach the TrackMaster® Wood Frame Adapter to the top center of the frame with the supplied screws. Attach supports to the bottom corners of the frame. These are ideal for keeping frames straight in busy rooms, hallways, near doors, and in childrens' rooms.

ATTACH THE TRACKMASTER® TO THE WALL

Remove the snap-in bubble level and place the TrackMaster® Picture Hanger on the wall. Use the double-stick tape to prevent slipping once leveled. Tap in the center nail. Re-insert the bubble level, adjust the TrackMaster® Picture Hanger until level, and tap in the two outer nails.*

HANG YOUR FRAME

The wood frame adapter fits onto the TrackMaster® Picture Hanger. Adjust from side to side. Press the bottom corners of the frame toward the wall with the heels of your hands.

* For installation on concrete block, masonry walls, or for additional earthquake protection, two screws with wall anchors can be used instead of nails.

Note: Using TrackMaster® Picture Hanger with thin frames (less than 5/8" thick) may cause the wood to splinter. Drill pilot holes for screws before installing the TrackMaster® Picture Hangers.

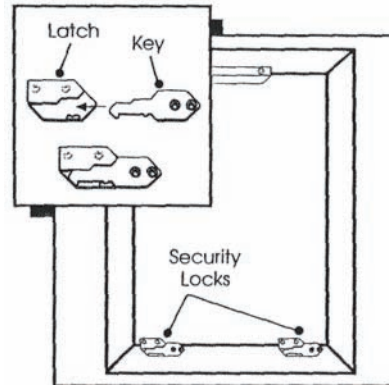
TrackMaster® Picture Hanging Systems, distributed by Piñon Marketing Group, Inc.
Albuquerque, New Mexico 87122 • 888.776.2531 toll free

TrackMaster® picture frame hangers are protected under the following U.S. and Canadian patents and patents pending: U.S. Patent 5,209,449 (issued May 11, 1993); U.S. Patent 5,303,895 (issued April 19, 1994); U.S. Patent 5,454,542 (issued October 3, 1995) and other U.S. patents pending; Canadian patent pending 2,086,894 (filed January 7, 1993).

Visit www.picturehanger.com for design ideas, other hanging options, and to conveniently re-order.

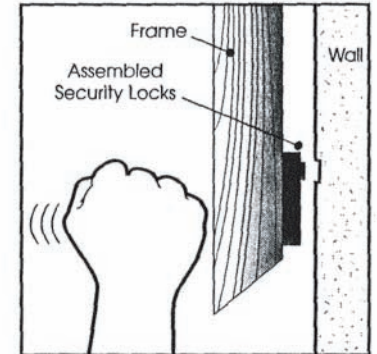
Security Lock Installation Instructions

For use with the 8" Sliding Wood Frame Picture Hanger



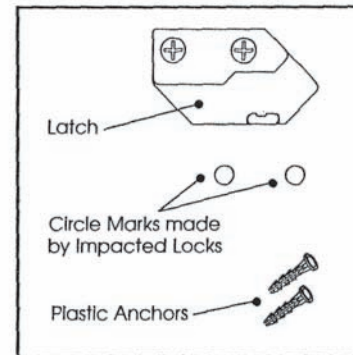
ATTACH SECURITY LOCKS

After installing 8" Wood Frame TrackMaster® Picture Hanger, install assembled security locks on bottom of frame as shown. Position index (on keys) flush with inside of frames's bottom rail.



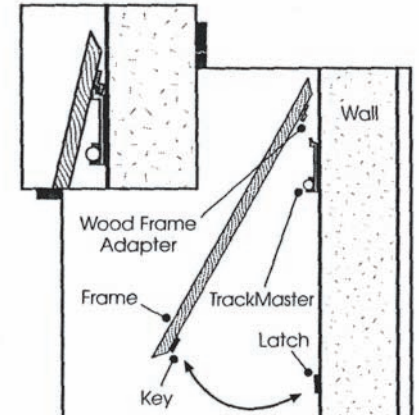
MARK LOCATION

Attach frame to hanger and firmly impact locks against wall to mark locations for anchors.



ATTACH LATCHES

Remove latches from installed locks and set frame aside. Drill 3/16" holes at the anchor location marks. Insert anchors into the holes. Attach latches to anchors with screws.



PLACE ON PICTURE HANGER

Place frame on hanger and slide to far left. Hold frame against wall and slide keys into latches until locked into place. To remove frame, impact lower right corner until keys separate from latches.